

PERFORMANCE  
MADE  
SMARTER

# Manual do produto

# 5333

## *Transmissor programável 2 fios*



Segurança  
**I**  
INMETRO



TEMPERATURA | INTERFACES INTRÍNSECAS | INTERFACE DE COMUNICAÇÃO | MULTIFUNCIONAL | ISOLAÇÃO | DISPLAY

No. 5333V118-BR  
De número de serial: 211809511

**PR**  
electronics

# 6 Product Pillars

## *to meet your every need*

### Individually outstanding, unrivalled in combination

With our innovative, patented technologies, we make signal conditioning smarter and simpler. Our portfolio is composed of six product areas, where we offer a wide range of analog and digital devices covering over a thousand applications in industrial and factory automation. All our products comply with or surpass the highest industry standards, ensuring reliability in even the harshest of environments and have a 5-year warranty for greater peace of mind.



Our range of temperature transmitters and sensors provides the highest level of signal integrity from the measurement point to your control system. You can convert industrial process temperature signals to analog, bus or digital communications using a highly reliable point-to-point solution with a fast response time, automatic self-calibration, sensor error detection, low drift, and top EMC performance in any environment.



We deliver the safest signals by validating our products against the toughest safety standards. Through our commitment to innovation, we have made pioneering achievements in developing I.S. interfaces with SIL 2 Full Assessment that are both efficient and cost-effective. Our comprehensive range of analog and digital intrinsically safe isolation barriers offers multifunctional inputs and outputs, making PR an easy-to-implement site standard. Our backplanes further simplify large installations and provide seamless integration to standard DCS systems.



We provide inexpensive, easy-to-use, future-ready communication interfaces that can access your PR installed base of products. All the interfaces are detachable, have a built-in display for readout of process values and diagnostics, and can be configured via push-buttons. Product specific functionality includes communication via Modbus and Bluetooth and remote access using our PR Process Supervisor (PPS) application, available for iOS and Android.



Our unique range of single devices covering multiple applications is easily deployable as your site standard. Having one variant that applies to a broad range of applications can reduce your installation time and training, and greatly simplify spare parts management at your facilities. Our devices are designed for long-term signal accuracy, low power consumption, immunity to electrical noise and simple programming.



Our compact, fast, high-quality 6 mm isolators are based on microprocessor technology to provide exceptional performance and EMC-immunity for dedicated applications at a very low total cost of ownership. They can be stacked both vertically and horizontally with no air gap separation between units required.



Our display range is characterized by its flexibility and stability. The devices meet nearly every demand for display readout of process signals and have universal input and power supply capabilities. They provide a real-time measurement of your process value no matter the industry and are engineered to provide a user-friendly and reliable relay of information, even in demanding environments.

# Transmissor programável 2 fios 5333

## Conteúdo

Aplicação .....	4
Características técnicas .....	4
Montagem / instalação .....	4
Aplicações .....	4
Ordem .....	5
Acessórios .....	5
Conexões .....	7
Diagrama de bloco .....	7
Programação .....	8
Especificações mecânicas .....	8
Montagem dos fios do sensor .....	8
ATEX Installation Drawing - 5333A .....	9
ATEX Installation Drawing - 5333D .....	11
IECEX Installation Drawing - 5333A .....	13
IECEX Installation Drawing - 5333D .....	15
FM Installation Drawing - 5333D .....	17
CSA Installation Drawing - 5333A .....	19
CSA Installation Drawing - 5333D .....	20
INMETRO Installation Drawing - 5333A .....	21
INMETRO Installation Drawing - 5333D .....	22
História do documento .....	24

# Transmissor programável 2 fios 5333

- Entrada RTD ou Ohm
- Alta precisão de medição
- Conexão 3 fios
- Valor de erro de sensor programável
- Montagem do sensor tipo cabeçote para trilho DIN B

## Aplicação

- Medição de temperatura linearizada com Pt100...Pt1000 ou sensor Ni100...Ni1000.
- Conversão de variação de resistência linear para um sinal de corrente analógico padrão por exemplo válvulas ou sensor de nível Ohmico.

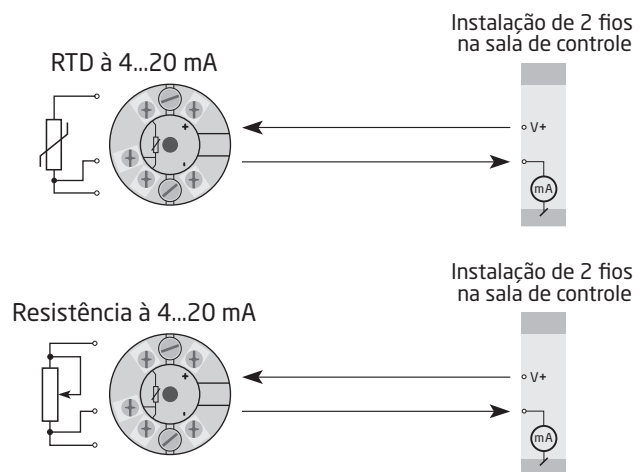
## Características técnicas

- Em poucos segundos o usuário pode programa o PR5333 para medição de temperaturas com todos os ranges definidos pelas normas.
- As entradas de RTD e resistência possuem cabo de compensação para conexão 3-fios.

## Montagem / instalação

- Para sensor tipo cabeçote de montagem em DIN B. Em áreas não perigosas o 5333 pode ser montado em trilho DIN com o acessório da PR tipo 8421.

## Aplicações



## Ordem

Tipo	Versão
5333	Zona 2 / Div. 2 : A
	Zona 0, 1, 2, 21, 22, M1 / Div. 1, Div. 2 : D

## Acessórios

5909 = Loop Link USB interface and PReset Software

## Especificações elétricas

### Condições ambientais:

Especificações de range . . . . . -40°C a +85°C  
Temperatura de calibração . . . . . 20...28°C  
Umidade de relativa . . . . . < 95% RH (non-cond.)  
Grau de proteção (enclausurado / terminal) . . . . . IP68 / IP00

### Especificações mecânicas:

Dimensões . . . . . Ø 44 x 20,2 mm  
Peso . . . . . 50 g  
Tamanho máximo do fio . . . . . 1 x 1,5 mm<sup>2</sup> fio flexível  
Torque de terminal de parafuso . . . . . 0,4 Nm  
Vibração . . . . . IEC 60068-2-6  
2...25 Hz. . . . . ±1,6 mm  
25...100 Hz. . . . . ±4 g

### Especificações elétricas comuns:

Tensão de alimentação, DC:  
5333A. . . . . 8,0...35 VDC  
5333D. . . . . 8,0...30 VDC  
Dissipação de potência  
5333A. . . . . 25 mW...0,8 W  
5333D. . . . . 25 mW...0,7 W  
Queda de tensão. . . . . 8,0 VDC  
Tempo de aquecimento . . . . . 5 min.  
Programação . . . . . Loop Link  
Sinal / ruído . . . . . Min. 60 dB  
Tempo de resposta (programável). . . . . 0,33...60 s  
Dinâmicas de sinal, entrada . . . . . 19 bit  
Dinâmicas de sinal, saída . . . . . 16 bit  
Efeito de variação de tensão de alimentação . . . . . < 0,005% de span / VDC

Precisão, a melhor para valores gerais e básicos:

Valores gerais		
Tipo de entrada	Precisão absoluta	Coefficiente de temperatura
Todas	≤ ±0,1% de span	≤ ±0,01% de span / °C

Valores básicos		
Tipo de entrada	Precisão básica	Coefficiente de temperatura
RTD	≤ ±0,3°C	≤ ±0,01°C/°C
Lin. R	≤ ±0,2 Ω	≤ ±20 mΩ / °C

Influência de imunidade EMC. . . . . < ±0,5% de span

## Especificações elétricas, entradas:

### Entrada RTD e resistência linear:

Tipo RTD	Valor mín.	Valor máx.	Span mín.	Padrão
Pt100...Pt1000	-200°C	+850°C	25°C	IEC 60751
Ni100...Ni1000	-60°C	+250°C	25°C	DIN 43760
Resist. lin.	0 Ω	10000 Ω	30 Ω	-----

Compensação máx. . . . .	50% do valor máx. selecionado
Resistência do cabo por fio (max.) . . . . .	10 Ω
Corrente do sensor. . . . .	> 0,2 mA, < 0,4 mA
Efeito de resistência de cabo do sensor (3-fios) . . . . .	< 0,002 Ω / Ω
Deteção de erro de sensor . . . . .	Sim

### Saída:

#### Saída de corrente:

Range de sinal . . . . .	4...20 mA
Range de sinal mín. . . . .	16 mA
Tempo de atualização . . . . .	135 ms
Resistência de carga. . . . .	≤ (Valimentação- 8,0) / 0,023 [Ω]
Estabilidade de carga . . . . .	< ±0,01% de span / 100 Ω

#### Deteção de erro de sensor:

Programável. . . . .	3,5...23 mA
NAMUR NE43 Acima de escala . . . . .	23 mA
NAMUR NE43 Abaixo de escala . . . . .	3,5 mA

De span = De range presentemente selecionado

#### Determinações das autoridades observados:

EMC. . . . .	2014/30/UE
RoHS. . . . .	2011/65/UE
ATEX . . . . .	2014/34/UE
EAC . . . . .	TR-CU 020/2011
EAC Ex . . . . .	TR-CU 012/2011

#### Aprovação marinha:

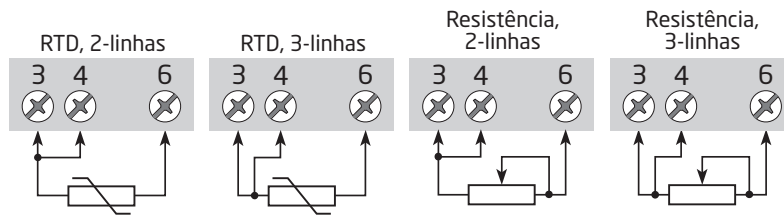
DNV, Ships & Offshore. . . . .	TAA0000101
--------------------------------	------------

#### Aprovações I.S. / Ex:

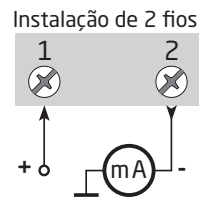
5333A:	
ATEX . . . . .	DEKRA 20ATEX0106 X
5333D:	
ATEX . . . . .	DEKRA 20ATEX0105 X
FM . . . . .	FM17US0013X
5333A & 5333D:	
IECEX. . . . .	DEK 20.0062X
CSA. . . . .	1125003
INMETRO . . . . .	DEKRA 16.0014 X
EAC Ex. . . . .	RU C-DK.HA65.B.00355/19

# Conexões

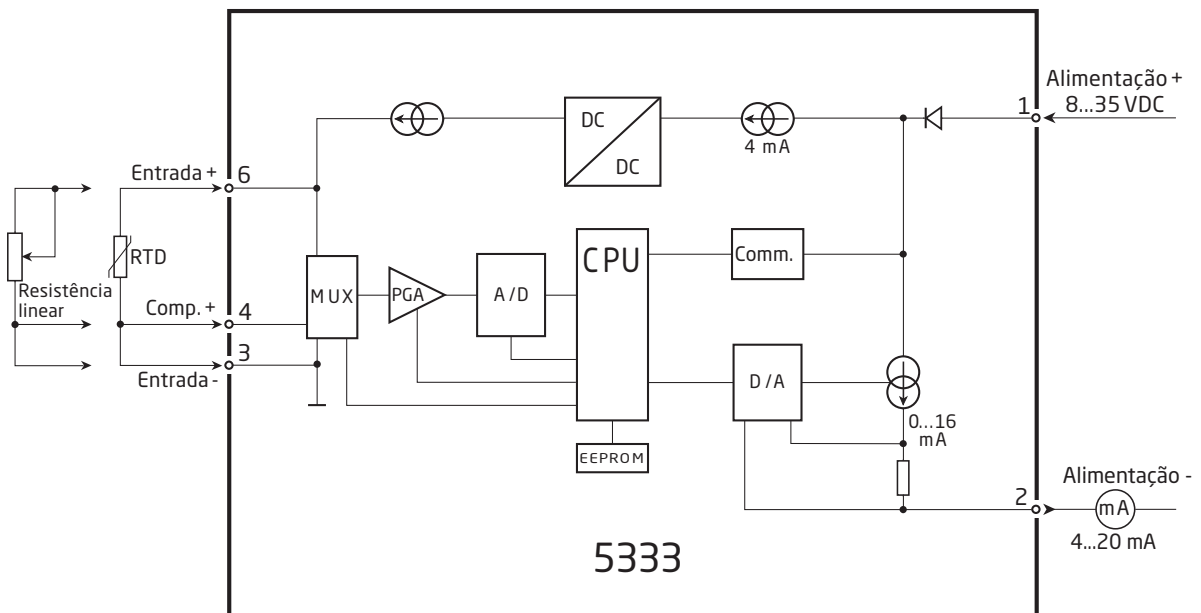
## Entrada:



## Saída:

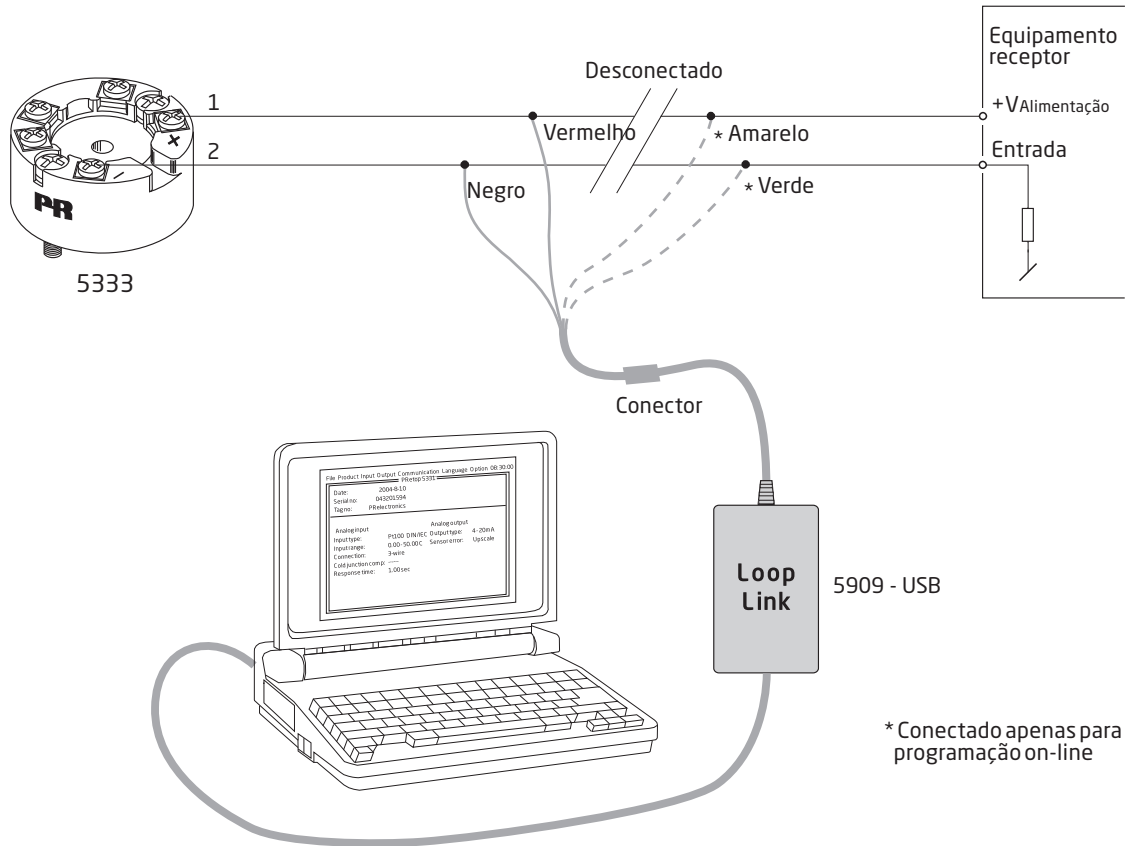


## Diagrama de bloco

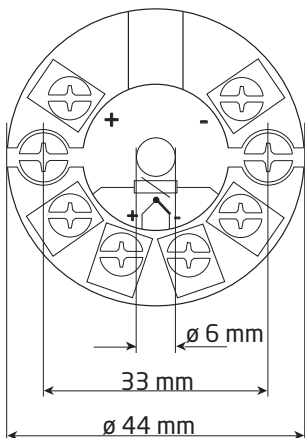


# Programação

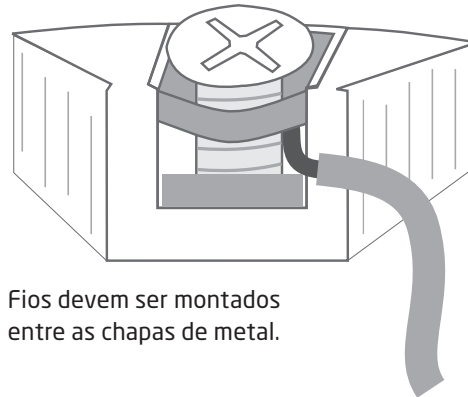
- Loop Link é uma interface de comunicações que é necessário para programar o 5333.
- Para programar favor consultar o desenho a seguir e as funções de ajuda no PReset.
- Loop Link não é aprovado para comunicação com módulos instalados em áreas perigosas (Ex).



## Especificações mecânicas



## Montagem dos fios do sensor



Fios devem ser montados entre as chapas de metal.



# ATEX-installation drawing 5333QA02-V3R0

For safe installation of 5333A the following must be observed. The module shall only be installed by qualified personnel who are familiar with the national and international laws, directives and standards that apply to this area. Year of manufacture can be taken from the first two digits in the serial number.

ATEX Certificate      DEKRA 20ATEX0106 X

Marking



II 3 G Ex nA [ic] IIC T6 ... T4 Gc  
 II 3 G Ex ec [ic] IIC T6 ... T4 Gc  
 II 3 G Ex ic IIC T6 ... T4 Gc  
 II 3 D Ex ic IIIC Dc

Standards

EN 60079-0: 2018, EN 60079-11: 2012,  
 EN 60079-15: 2010, EN 60079-7:2015 +A1: 2018

Terminal 3,4,6	Terminal 1,2	Terminal 1,2	Terminal 1,2
Ex ic IIC, Ex ic IIIC	Ex ic IIC, Ex ic IIIC	Ex ic IIC, Ex ic IIIC	Ex nA, Ex ec
Uo: 5 V Io: 4.0 mA Po: 20 mW Lo: 900 mH Co: 1000 µF	Ui = 35 V Ii = 110 mA Ci = 1 nF Li = 10 µH	Ui = 24 V Ii = 260 mA Ci = 1 nF Li = 10 µH	Umax ≤ 35 VDC or Umax ≤ 24 VDC

Ex ic IIC, Ex ic IIIC Temperature Class	Ambient temperature range	
	Ui=35 V	Ui=24 V
<b>T6</b>	-40°C to +54°C	-40°C to +63°C
<b>T5</b>	-40°C to +69°C	-40°C to +78°C
<b>T4</b>	-40°C to +85°C	-40°C to +85°C

Ex ec, Ex nA Temperature Class	Ambient temperature range	
	Vmax=35 V	Vmax=24 V
<b>T6</b>	-40°C to +43°C	-40°C to +55°C
<b>T5</b>	-40°C to +85°C	-40°C to +85°C
<b>T4</b>	-40°C to +85°C	-40°C to +85°C

## Installation notes

If the enclosure is made of non-metallic plastic materials, electrostatic charges on the transmitter enclosure shall be avoided.

If the transmitter is installed in an explosive atmosphere requiring the use of equipment protection level Gc and applied in type of protection Ex ic, the transmitter shall be mounted in an enclosure that provides a degree of protection of at least IP20 according to EN 60529, and that is suitable for the application and correctly installed.

If the transmitter is installed in an explosive atmosphere requiring the use of equipment protection level Dc, the transmitter shall be mounted in a separately certified enclosure that provides a degree of protection of at least IP5X according to EN 60079-0, and that is suitable for the application and correctly installed. The surface temperature of the outer enclosure is +20 K above the ambient temperature, determined without a dust layer. Ambient temperature range: -40°C to +85°C.

If the transmitter is installed in an explosive atmosphere requiring the use of equipment protection level Gc and applied in type of protection Ex nA or Ex ec, the transmitter shall be mounted in a separately certified enclosure that provides a degree of protection of at least IP54 according to EN 60079-0, and that is suitable for the application and correctly installed.

If the transmitter is installed in an explosive atmosphere requiring the use of equipment protection level Gc and applied in type of protection Ex nA or Ex ec, the equipment shall only be used in an area of not more than pollution degree 2, as defined in EN 60664-1.

# ATEX-installation drawing 5333QA01-V3R0



For safe installation of 5333D the following must be observed. The module shall only be installed by qualified personnel who are familiar with the national and international laws, directives and standards that apply to this area. Year of manufacture can be taken from the first two digits in the serial number.

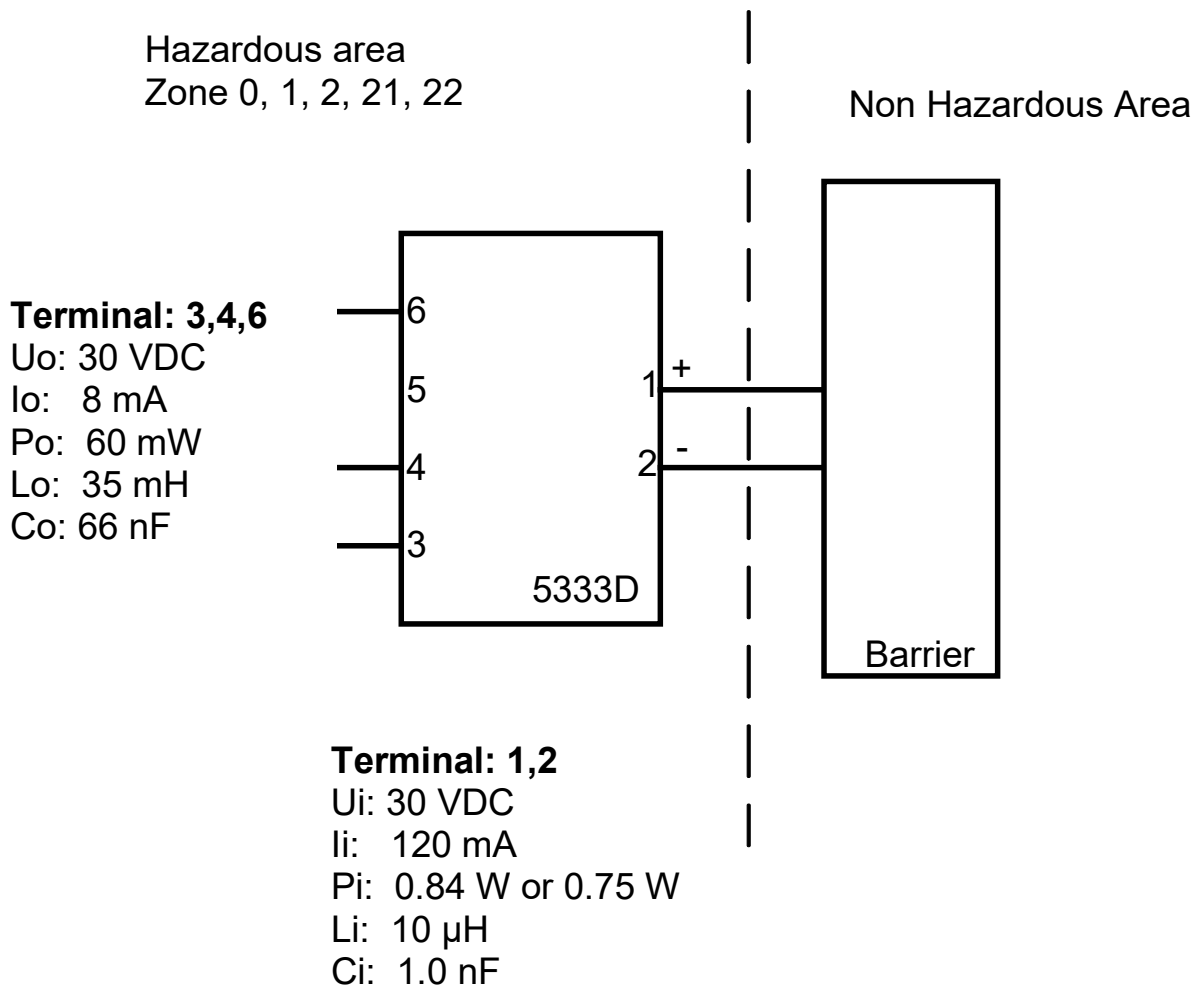
ATEX Certificate      DEKRA 20ATEX0105 X

Marking



II 1 G Ex ia IIC T6...T4 Ga  
II 2 D Ex ia IIIC Db  
I M1 Ex ia I Ma

Standards              EN 60079-0: 2018, EN 60079-11: 2012



Temperature Class	Ambient temperature range	
	Pi: 0.84 W	Pi: 0.75 W
<b>T6</b>	-40°C to +47°C	-40°C to +50°C
<b>T5</b>	-40°C to +62°C	-40°C to +65°C
<b>T4</b>	-40°C to +85°C	-40°C to +85°C

## Installation notes

If the enclosure is made of non-metallic plastic materials, electrostatic charges on the transmitter enclosure shall be avoided.

If the transmitter is installed in an explosive atmosphere requiring the use of equipment protection level Ga, the transmitter shall be mounted in an enclosure that provides a degree of protection of at least IP20 according to EN 60529, and that is suitable for the application and correctly installed.

If the transmitter is installed in an explosive atmosphere requiring the use of equipment protection level Ga or Ma, and if the enclosure is made of aluminum, it must be installed such, that ignition sources due to impact and friction sparks are excluded.

If the transmitter is installed in an explosive atmosphere requiring the use of equipment protection level Db, the transmitter shall be mounted in a separately certified enclosure that provides a degree of protection of at least IP5X according to EN 60079-0, and that is suitable for the application and correctly installed. The surface temperature of the outer enclosure is +20 K above the ambient temperature, determined without a dust layer.  
Ambient temperature range: -40°C to +85°C.

If the transmitter is installed in an explosive atmosphere requiring the use of equipment protection level Ma, the transmitter shall be mounted in an enclosure that provides a degree of protection of at least IP54 according to EN 60529, and that is suitable for the application and correctly installed.  
Ambient temperature range: -40°C to +85°C.

Cable entries and blanking elements shall be used that are suitable for the application and correctly installed.

For an ambient temperature  $\geq 60^\circ\text{C}$ , heat resistant cables shall be used with a rating of at least 20 K above the ambient temperature.

# IECEX-installation drawing 5333QI02-V3R0

For safe installation of 5333A the following must be observed. The module shall only be installed by qualified personnel who are familiar with the national and international laws, directives and standards that apply to this area. Year of manufacture can be taken from the first two digits in the serial number.

Certificate IECEX DEK 20.0062X

Marking  
 Ex nA [ic] IIC T6 ... T4 Gc  
 Ex ec [ic] IIC T6 ... T4 Gc  
 Ex ic IIC T6 ... T4 Gc  
 Ex ic IIIC Dc

Standards IEC 60079-0: 2017, IEC 60079-11: 2011,  
 IEC 60079-15: 2010, IEC 60079-7:2017

Terminal 3,4,5,6	Terminal 1,2	Terminal 1,2	Terminal 1,2
Ex ic IIC, Ex ic IIIC	Ex ic IIC, Ex ic IIIC	Ex ic IIC, Ex ic IIIC	Ex nA, Ex ec
Uo: 5 V Io: 4 mA Po: 20 mW Lo: 900 mH Co: 1000 µF	Ui = 35 V Ii = 110 mA Ci = 1 nF Li = 10 µH	Ui = 24 V Ii = 260 mA Ci = 1 nF Li = 10 µH	Umax ≤ 35 VDC or Umax ≤ 24 VDC

Ex ic IIC, Ex ic IIIC Temperature Class	Ambient temperature range	
	Ui=35 V	Ui=24 V
<b>T6</b>	-40°C to +54°C	-40°C to +63°C
<b>T5</b>	-40°C to +69°C	-40°C to +78°C
<b>T4</b>	-40°C to +85°C	-40°C to +85°C

Ex ec, Ex nA Temperature Class	Ambient temperature range	
	Vmax=35 V	Vmax=24 V
<b>T6</b>	-40°C to +43°C	-40°C to +55°C
<b>T5</b>	-40°C to +85°C	-40°C to +85°C
<b>T4</b>	-40°C to +85°C	-40°C to +85°C

## Installation notes

If the enclosure is made of non-metallic plastic materials, electrostatic charges on the transmitter enclosure shall be avoided.

If the transmitter is installed in an explosive atmosphere requiring the use of equipment protection level Gc and applied in type of protection Ex ic, the transmitter shall be mounted in an enclosure that provides a degree of protection of at least IP20 according to IEC 60529, and that is suitable for the application and correctly installed.

If the transmitter is installed in an explosive atmosphere requiring the use of equipment protection level Dc, the transmitter shall be mounted in a separately certified enclosure that provides a degree of protection of at least IP5X according to IEC 60079-0, and that is suitable for the application and correctly installed. The surface temperature of the outer enclosure is +20 K above the ambient temperature, determined without a dust layer.  
Ambient temperature range: -40°C to +85°C.

If the transmitter is installed in an explosive atmosphere requiring the use of equipment protection level Gc and applied in type of protection Ex nA or Ex ec, the transmitter shall be mounted in a separately certified enclosure that provides a degree of protection of at least IP54 according to IEC 60079-0, and that is suitable for the application and correctly installed.

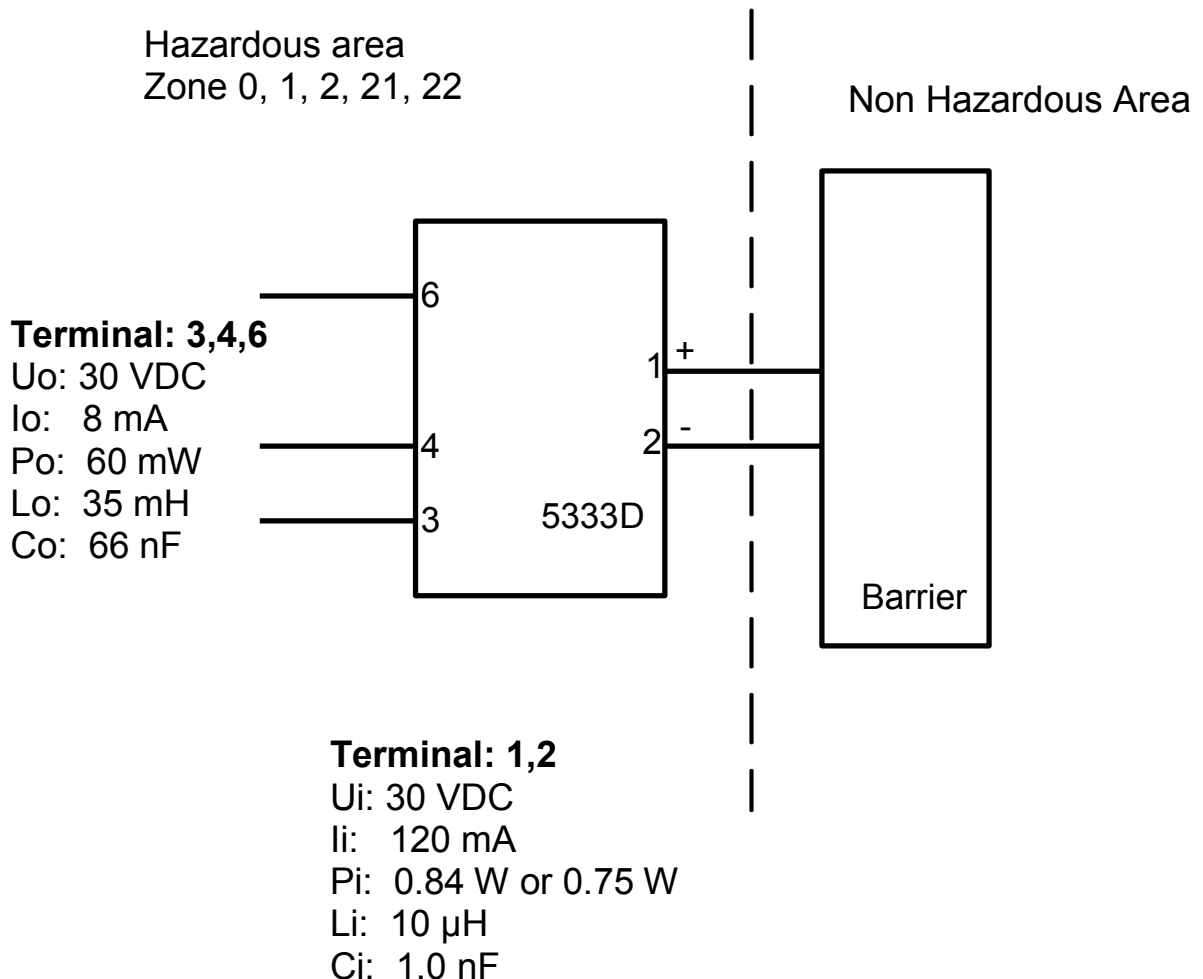
If the transmitter is installed in an explosive atmosphere requiring the use of equipment protection level Gc and applied in type of protection Ex nA or Ex ec, the equipment shall only be used in an area of not more than pollution degree 2, as defined in IEC 60664-1.

# IECEx-installation drawing 5333QI01-V3R0



For safe installation of 5333D the following must be observed. The module shall only be installed by qualified personnel who are familiar with the national and international laws, directives and standards that apply to this area. Year of manufacture can be taken from the first two digits in the serial number.

Certificate	IECEx DEK 20.0062X
Marking	Ex ia IIC T6...T4 Ga Ex ia IIIC Db Ex ia I Ma
Standards	IEC 60079-0: 2017, IEC 60079-11: 2011



Temperature Class	Ambient temperature range	
	Pi: 0.84 W	Pi: 0.75 W
<b>T6</b>	-40°C to +47°C	-40°C to +50°C
<b>T5</b>	-40°C to +62°C	-40°C to +65°C
<b>T4</b>	-40°C to +85°C	-40°C to +85°C

## Installation notes

If the enclosure is made of non-metallic plastic materials, electrostatic charges on the transmitter enclosure shall be avoided.

If the transmitter is installed in an explosive atmosphere requiring the use of equipment protection level Ga, the transmitter shall be mounted in an enclosure that provides a degree of protection of at least IP20 according to IEC 60529, and that is suitable for the application and correctly installed.

If the transmitter is installed in an explosive atmosphere requiring the use of equipment protection level Ga or Ma, and if the enclosure is made of aluminum, it must be installed such, that ignition sources due to impact and friction sparks are excluded.

If the transmitter is installed in an explosive atmosphere requiring the use of equipment protection level Db, the transmitter shall be mounted in a separately certified enclosure that provides a degree of protection of at least IP5X according to IEC 60079-0, and that is suitable for the application and correctly installed. The surface temperature of the outer enclosure is +20 K above the ambient temperature, determined without a dust layer.  
Ambient temperature range: -40°C to +85°C.

If the transmitter is installed in an explosive atmosphere requiring the use of equipment protection level Ma, the transmitter shall be mounted in an enclosure that provides a degree of protection of at least IP54 according to IEC 60529, and that is suitable for the application and correctly installed.  
Ambient temperature range: -40°C to +85°C.

Cable entries and blanking elements shall be used that are suitable for the application and correctly installed.

For an ambient temperature  $\geq 60^\circ\text{C}$ , heat resistant cables shall be used with a rating of at least 20 K above the ambient temperature.



## FM Installation Drawing

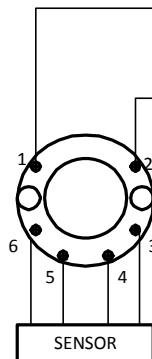
### Model 5331D, 5332D, 5333D and 5343B

#### Hazardous (Classified) Location

Class I, Division 1, Groups, A, B, C, D T4..T6  
Class I, Zone 0, AEx ia IIC T4..T6

Ambient temperature limits  
T4: -40 to +85 deg. Celcius  
T6: -40 to +60 deg. Celcius

Terminal 1, 2  
Vmax or Ui: 30 V  
Imax or Ii: 120 mA  
Pmax or Pi: 0.84 W  
Ci: 1 nF  
Li: 10 uH



#### Non Hazardous Location

Associated Apparatus  
or Barrier  
with  
entity Parameters:

$UM \leq 250V$   
 $Voc \text{ or } Uo \leq Vmax \text{ or } Ui$   
 $Isc \text{ or } Io \leq Imax \text{ or } Ii$   
 $Po \leq Pi$   
 $Ca \text{ or } Co \geq Ci + Ccable$   
 $La \text{ or } Lo \geq Li + Lcable$

This device must not be connected  
to any associated apparatus which  
uses or generates more than 250  
VRMS

### Model 5335D, 5337D

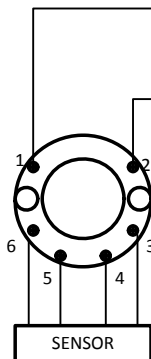
#### Hazardous (Classified) Location

Class I, Division 1, Groups, A, B, C, D T4..T6  
Class I, Zone 0, AEx ia IIC T4..T6

Ambient temperature limits  
T4: -40 to +85 deg. Celcius  
T6: -40 to +60 deg. Celcius

Terminal 1, 2  
Vmax or Ui: 30 V  
Imax or Ii: 120 mA  
Pmax or Pi: 0.84 W  
Ci: 1 nF  
Li: 10 uH

Terminal 3, 4, 5, 6  
Vt or Uo: 9.6 V  
It or Io: 28 mA  
Pt or Po: 67.2 mW  
Ca or Co: 3.5 uF  
La or Lo: 35 mH



#### Non Hazardous Location

Associated Apparatus  
or Barrier  
with  
entity Parameters:

$UM \leq 250V$   
 $Voc \text{ or } Uo \leq Vmax \text{ or } Ui$   
 $Isc \text{ or } Io \leq Imax \text{ or } Ii$   
 $Po \leq Pi$   
 $Ca \text{ or } Co \geq Ci + Ccable$   
 $La \text{ or } Lo \geq Li + Lcable$

This device must not be connected  
to any associated apparatus which  
uses or generates more than 250  
VRMS

**The entity concept**

The Transmitter must be installed according to National Electrical Code (ANSI-NFPA 70) and shall be installed with the enclosure, mounting, and spacing segregation requirement of the ultimate application.

Equipment that is FM-approved for intrinsic safety may be connected to barriers based on the ENTITY CONCEPT. This concept permits interconnection of approved transmitters, meters and other devices in combinations which have not been specifically examined by FM, provided that the agency's criteria are met. The combination is then intrinsically safe, if the entity concept is acceptable to the authority having jurisdiction over the installation.

The entity concept criteria are as follows:

The intrinsically safe devices, other than barriers, must not be a source of power.

The maximum voltage  $U_i(V_{MAX})$  and current  $I_i(I_{MAX})$ , and maximum power  $P_i(P_{max})$ , which the device can receive and remain intrinsically safe, must be equal to or greater than the voltage ( $U_o$  or  $V_{OC}$  or  $V_t$ ) and current ( $I_o$  or  $I_{SC}$  or  $I_t$ ) and the power  $P_o$  which can be delivered by the barrier.

The sum of the maximum unprotected capacitance ( $C_i$ ) for each intrinsically device and the interconnecting wiring must be less than the capacitance ( $C_a$ ) which can be safely connected to the barrier.

The sum of the maximum unprotected inductance ( $L_i$ ) for each intrinsically device and the interconnecting wiring must be less than the inductance ( $L_a$ ) which can be safely connected to the barrier.

The entity parameters  $U_o, V_{OC}$  or  $V_t$  and  $I_o, I_{SC}$  or  $I_t$ , and  $C_a$  and  $L_a$  for barriers are provided by the barrier manufacturer.

**NI Field Circuit Parameters**

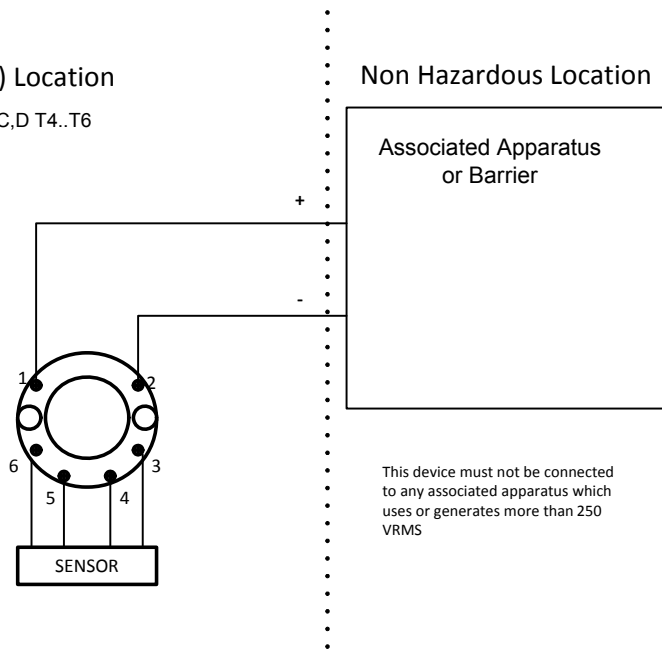
**Model 5331D, 5332D, 5333D, 5335D, 5337D and 5343B**

**Hazardous (Classified) Location**

Class I, Division 2, Groups, A,B,C,D T4..T6  
Class I, Zone 2, IIC T4..T6

Ambient temperature limits  
T4: -40 to + 85 deg. Celcius  
T6: -40 to + 60 deg. Celcius

Terminal 1 , 2  
 $V_{max}$  : 35 V  
 $C_i$ : 1.0 nF  
 $L_i$ :10 uH



For safe installation of the 5333A the following must be observed. The module shall only be installed by qualified personnel who are familiar with the national and international laws, directives and standards that apply to this area.

**Marking**

Class I, Division 2, Group A,B,C,D T6...T4  
Ex nA[ic] IIC T6...T4  
Class I Zone 2 AEx nA[ic] IIC T6...T4

**Hazardous Area**

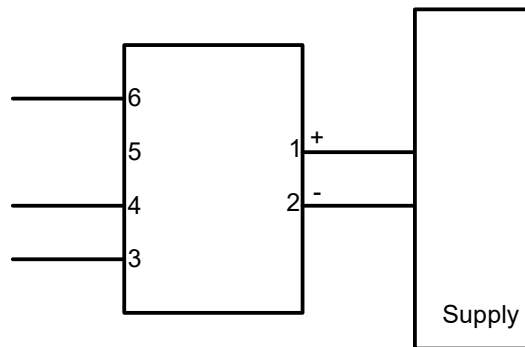
CL I, Div 2, GP ABCD  
CL I, Zone 2, IIC

T4: -40°C to 85 °C  
T6: -40°C to 60 °C

**Terminal:**

**3,4,6**

Uo: 5 VDC  
Io: 4 mA  
Po: 20 mW  
Lo: 900 mH  
Co: 1000 µF



**Terminal:**

**1-2**

Functional Ratings:  
U nominal ≤ 35 VDC;  
I nominal ≤ 3.5 - 23 mA

**NI Installation instructions**

The transmitter must be installed in an enclosure providing a degree of protection of at least IP54 according to IEC60529 that is suitable for the application and is correctly installed. Cable entry devices and blanking elements shall fulfill the same requirements.

If the enclosure is made of non-metallic materials or of painted metal, electrostatic charging shall be avoided.

Use supply wires with a rating of at least 5 K above the ambient temperature.

Supply from a Class 2 Power Supply with Transient protection or equivalent.

WARNING: Substitution of components may impair suitability for Class I, Division 2

AVERTISSEMENT: la substitution de composants peut nuire à l'aptitude à la Classe I, Division 2.

WARNING: Do not disconnect equipment unless power has been switched off or the area is known to be safe.

AVERTISSEMENT: Ne débranchez pas l'équipement sauf si l'alimentation a été coupée ou si la zone est connue pour être sûre.

**Non Incendive field wiring installation**

The non incendive field Wiring Circuit concept allows interconnection of Nonincendive Field wiring Apparatus with Associated Nonincendive Field Wiring Apparatus or Associated Intrinsically Safe Apparatus or Associated Apparatus not specially examined in combination as a system using any of the wiring methods permitted for unclassified locations,

$Voc < Vmax$ ,  $Ca \geq Ci + Ccable$ ,  $La \geq Li + Lcable$ .

# CSA Installation drawing 533XQC03 – V5R0

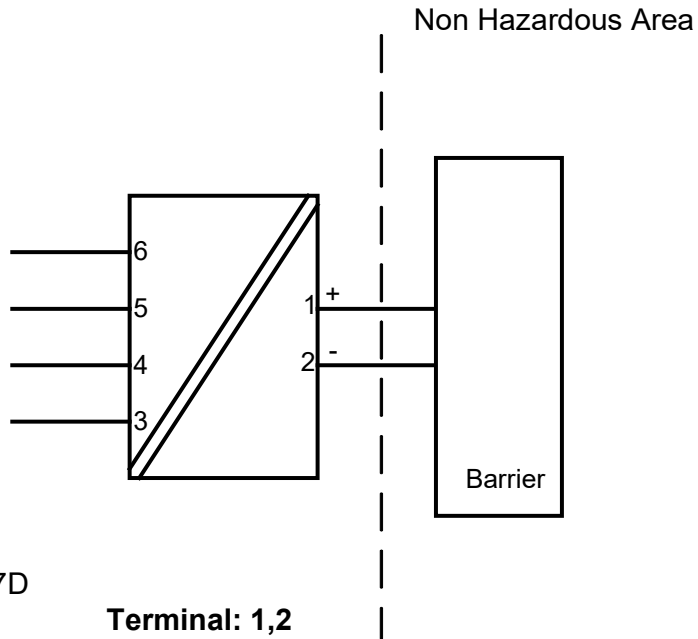
Hazardous area

T4:  $-40 \leq T_a \leq 85^\circ\text{C}$   
 T6:  $-40 \leq T_a \leq 60^\circ\text{C}$

Module 5331D, 5333D

**Terminal: 3,4,5,6**

Only passive, or non-energy storing devices such as RTD's and Thermocouples may be connected



Module 5335D, 5336D and 5337D

**Terminal: 3,4,5,6**

Uo: 9.6 VDC  
 Io: 28 mA  
 Po: 67.2 mW  
 Lo: 35 mH  
 Co: 3.5  $\mu\text{F}$

**Terminal: 1,2**

Ui: 30 VDC  
 Ii: 120 mA  
 Pi: 0.84 W  
 Li: 10  $\mu\text{H}$   
 Ci: 1.0 nF

**CLASS 2258 04 - PROCESS CONTROL EQUIPMENT** - Intrinsically Safe Entity -  
 For Hazardous Locations

**CLASS 2258 84 - PROCESS CONTROL EQUIPMENT** - Intrinsically Safe Entity -  
 For Hazardous Locations - Certified to US Standards

Class I, Division 1, Groups A, B, C and D T6...T4

Ex ia IIC T6...T4 Ga

Class I, Zone 0, AEx ia IIC Ga

**Warning:**

Substitution of components may impair intrinsic safety.

The transmitters must be installed in a suitable enclosure to meet installation codes stipulated in the Canadian Electrical Code (CEC) or for US the National Electrical Code (NEC).

## Desenho de Instalação INMETRO



Para instalação segura do 5333A ou 5343A o seguinte deve ser observado. O modo deve apenas ser instalado por pessoas qualificadas que são familiarizadas com as leis nacionais e internacionais, diretrizes e padrões que se aplicam a esta área.

Ano de fabricação pode ser pego dos dois primeiros dígitos do número de série.

Certificado DEKRA 16.0014 X

Marcas

Ex nA [ic] IIC T6..T4 Gc  
Ex ic IIC T6..T4 Gc  
Ex ic IIIC Dc

T4:  $-40 \leq T_a \leq 85^\circ\text{C}$

T6:  $-40 \leq T_a \leq 60^\circ\text{C}$

Normas ABNT NBR IEC 60079-0 : 2013; ABNT NBR IEC 60079-11 : 2013  
ABNT NBR IEC60079-15 : 2012

Terminais	Ex nA [ic]	Ex ic
1,2	$U \leq 35\text{V}$	$U_i : 35\text{V}, I_i:110\text{mA}, I_i:10\mu\text{H}, C_i:1,0\text{nF}$
3,4,6	$U_o: 5\text{V}, I_o: 4\text{mA}, P_o: 20\text{mW}, L_o: 900\text{mH}, C_o: 1000\mu\text{F}$	

### Notas para instalação

Para a instalação em uma atmosfera de gás potencialmente explosivo, se aplicam as instruções a seguir:

Para a instalação nA o transmissor deve ser instalado em um invólucro de metal, por exemplo, gabinete em forma B que forneça um grau de proteção de pelo menos IP54 de acordo com IEC60529 ou em um invólucro com tipo de proteção Ex n ou Ex e.

Para a instalação Ex ic o transmissor deve ser instalado em um invólucro proporcionando um grau de proteção de IP20, pelo menos, de acordo com a norma ABNT NBR IEC 60529. E o invólucro deve ser adequado para a aplicação e corretamente instalado.

Dispositivos de entrada de cabos e elementos de supressão devem cumprir os mesmos requisitos.

Para temperatura ambiente  $\geq 60^\circ\text{C}$ , fios de resistência ao calor devem ser usados com uma faixa de pelo menos 20K acima da temperatura ambiente.

Para a instalação em uma atmosfera de poeira potencialmente explosiva, se aplicam as instruções a seguir:

O transmissor deve ser montado em invólucro de metal forma B de acordo com DIN43729 que está fornecendo um grau de proteção de pelo menos IP6X de acordo com ABNT NBR IEC60529.

O invólucro deve ser adequado para aplicação e instalado corretamente.

As entradas dos cabos e os elementos de obturação que podem ser utilizados são adequados para a aplicação e corretamente instalados.

A temperatura da superfície do invólucro é igual à temperatura ambiente mais 20 K, para uma camada de pó, com uma espessura até 5 mm.

## Desenho de Instalação INMETRO



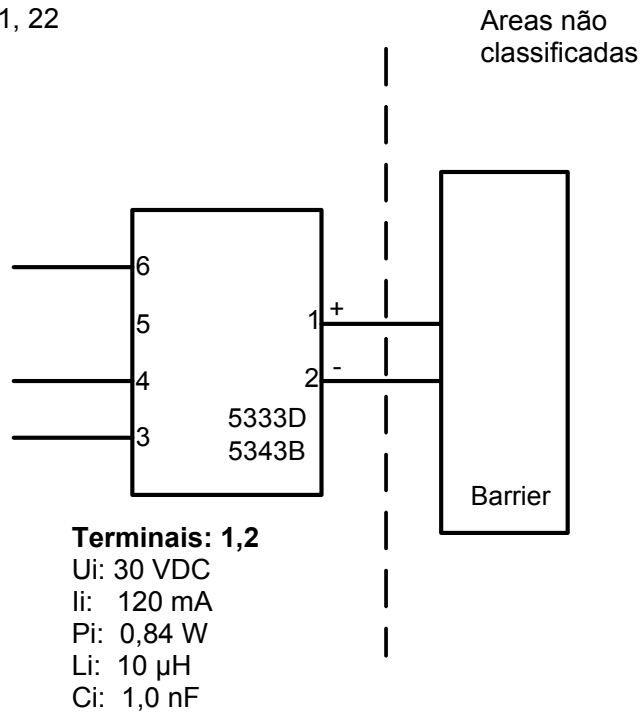
Para instalação segura do 5333D ou 5343B o seguinte deve ser observado. O modelo deve apenas ser instalado por pessoas qualificadas que são familiarizadas com as leis nacionais e internacionais, diretrizes e padrões que se aplicam a esta área.  
O ano de fabricação pode ser pego dos dois primeiros dígitos do número de série.

Certificado	DEKRA 16.0014 X
Marcas	Ex ia IIC T6...T4 Ga Ex ia IIIC Da Ex ia I Ma
Normas	ABNT NBR IEC 60079-0 : 2013; ABNT NBR IEC 60079-11 : 2013

Áreas classificadas  
Zona 0, 1, 2, 20, 21, 22

T4:  $-40 \leq T_a \leq 85^\circ\text{C}$   
T5:  $-40 \leq T_a \leq 60^\circ\text{C}$   
T6:  $-40 \leq T_a \leq 45^\circ\text{C}$

**Terminais: 3,4,5,6**  
Uo: 30 VDC  
Io: 8 mA  
Po: 60 mW  
Lo: 35 mH  
Co: 66 nF



**Notas de Instalação.**

Em uma atmosfera de gás potencialmente explosiva, o transmissor deve ser montado em um invólucro a fim de garantir no mínimo um grau de proteção IP20 de acordo com ABNT NBR IEC60529. Se contudo o ambiente necessitar um nível de proteção maior, isso deve ser levado em consideração.

Se o transmissor é instalado em uma atmosfera explosiva exigindo o uso de equipamento de proteção de nível Ga, Ma e Mb, e se o invólucro for feito de alumínio, ele deve ser instalado de modo que, mesmo em caso de avaria remota, fontes de ignição devido a impacto e fricção, faíscas são eliminadas; Se o invólucro é feito de materiais não metálicos, cargas eletroestáticas devem ser evitadas.

Se o invólucro é feito de materiais não metálicos, cargas eletroestáticas devem ser evitadas.

Para instalação em atmosfera de poeira potencialmente explosiva, as instruções a seguir são aplicáveis:

O transmissor deve ser montado em invólucro de metal forma B de acordo com DIN43729 que está fornecendo pelo menos um grau de proteção IP6X de acordo com ABNT NBR IEC60529. O invólucro deve ser adequado para aplicação pretendida e instalado corretamente.

As entradas dos cabos e os elementos de obturação que podem ser utilizados devem ser adequados à aplicação pretendida e corretamente instalados.

Para temperatura ambiente  $\geq 60^{\circ}\text{C}$ , fios de resistência ao calor devem ser usados com uma faixa de pelo menos 20K acima da temperatura ambiente.

## História do documento

A lista a seguir fornece notas sobre as revisões deste documento.

<b>ID de rev.</b>	<b>Data</b>	<b>Notas Rev.</b>
111	1345	Aprovações IECEx e INMETRO adicionadas.
112	1514	Aprovação de PESO/CCOE adicionada. Aprovação GOST substituída pela aprovação da EAC.
113	1707	Desenho de instalação FM atualizado. Desenho de instalação INMETRO atualizado.
114	1848	Desenho de instalação FM atualizado.
115	1935	Aprovação CSA para 5333A recebida. Desenho de instalação atualizado. Aprovação CCOE descontinuada.
116	2004	Desenho de instalação INMETRO atualizado.
117	2139	Aprovações ATEX e IECEx atualizadas - Ex na alterado para Ex ec.
118	2202	Desenhos de instalação CSA atualizados.

Todos os clientes poderão declarar uma reclamação através do telefone 0XX19-3429-7890 ou email [suporte@tsie.com.br](mailto:suporte@tsie.com.br) ou pelo site: <http://technosupply.com.br/suporte-tecnico>



# Vi er lige i nærheden, *over hele verden*

## Lokal support, uanset hvor du er

Vi yder ekspertservice og 5 års garanti på alle vores enheder. Med hvert eneste produkt, du køber, får du personlig teknisk support og vejledning, levering fra dag til dag, gratis reparation i garantiperioden og let tilgængelig dokumentation.

Vi har hovedkvarter i Danmark samt kontorer og autoriserede partnere verden over. Vi er en lokal

virksomhed med global rækkevidde. Derfor er vi altid i nærheden og har et godt kendskab til dine lokale markeder. Vi har fokus på tilfredse kunder og leverer PERFORMANCE MADE SMARTER over hele verden.

Få yderligere oplysninger om vores garantiprogram, eller mød en salgsrepræsentant i dit område - kontakt os på [preelectronics.dk](http://preelectronics.dk).

# Få fordel af *PERFORMANCE MADE SMARTER*

PR electronics er den førende teknologivirksomhed med speciale i at gøre styringen af industriprocesser mere sikker, pålidelig og effektiv. Vi har siden 1974 udviklet en række kernekompetencer inden for innovativ højpræcisionsteknologi med lavt energiforbrug. Vi er kendt for fortsat at sætte nye standarder for produkter, som kommunikerer, monitorerer og forbinder vores kunders procesmålepunkter med deres processtyresystemer.

Vores innovative, patenterede teknologier er blevet til i kraft af vores omfattende R&D faciliteter samt gennem et indgående kendskab til vores kunders behov og processer. Vores grundlæggende principper omhandler enkelhed, fokus, mod og dygtighed, hvilket sikrer at nogle af verdens største virksomheder kan opnå PERFORMANCE MADE SMARTER.